

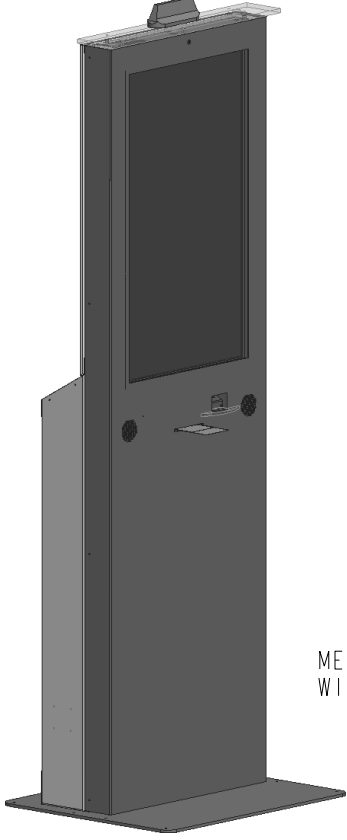
ZONE	LTR	DESCRIPTION	DATE	APPROVED

B



MERCHANT MAX STANDARD

A



MERCHANT MAX WITH ALL OPTIONS

- NOTES
1. THIS IS A CUSTOMER DRAWING FOR THE MERCHANT MAX H32 - 400 - 100. DO NOT REFERENCE FOR MANUFACTURING.
 2. THIS IS A ENGINEERING MODEL OF THE MERCHANT MAX KIOSK ALL FEATUERS ARE SHOWN. MANY FEATURES SHOWN ARE FOR MANUFACTURING ONLY.
 3. THIS DRAWING IS TO COMMUNICATE TO CUSTOMERS THE SIZE OF THE 32-MONO KIOSK FOR GRAPHICAL LAMINATES, MOUNTING POINTS, OPTIONS AND SIZES.

DO NOT SCALE FROM PRINT!		DWG INTERPRETATION: ASME Y14.5M-1994 UNLESS OTHERWISE SPECIFIED:		H32 DESIGN AND DEVELOPMENT LLC, 603-865-1000 PO BOX 234, WILMOT NH 03287, www.H32.com Advanced kiosks is a dba of H32	
INSPECTION		DIMENSIONS IN: INCHES		TITLE: Merchant Max Kiosk	
PART STATUS:		TOLERANCES: ± .005		SIZE: D	
LEGEND: " CRITICAL DIMENSION " MAJOR DIMENSION " (NO *) MINOR DIMENSION		SURFACE FINISH: FRACTIONAL: .125 DECIMAL: .125 SURFACE ROUGHNESS: ± .125		DRAWING NUMBER: H32 - 400 - C	
THIS DRAWING IS PROPRIETARY AND CONSIDERED CONFIDENTIAL. NO REPRODUCTION MAY BE MADE WITHOUT WRITTEN PERMISSION FROM H32 DESIGN AND DEVELOPMENT LLC.		THIRD ANGLE PROJECTION		REV: A	
				SCALE: 1 OF 4	

2

1

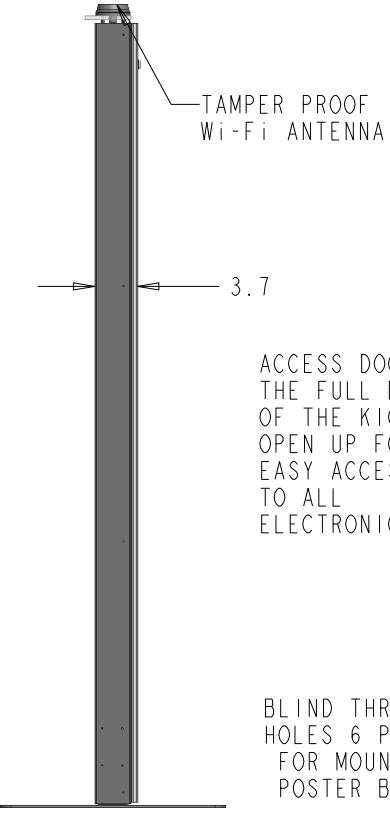
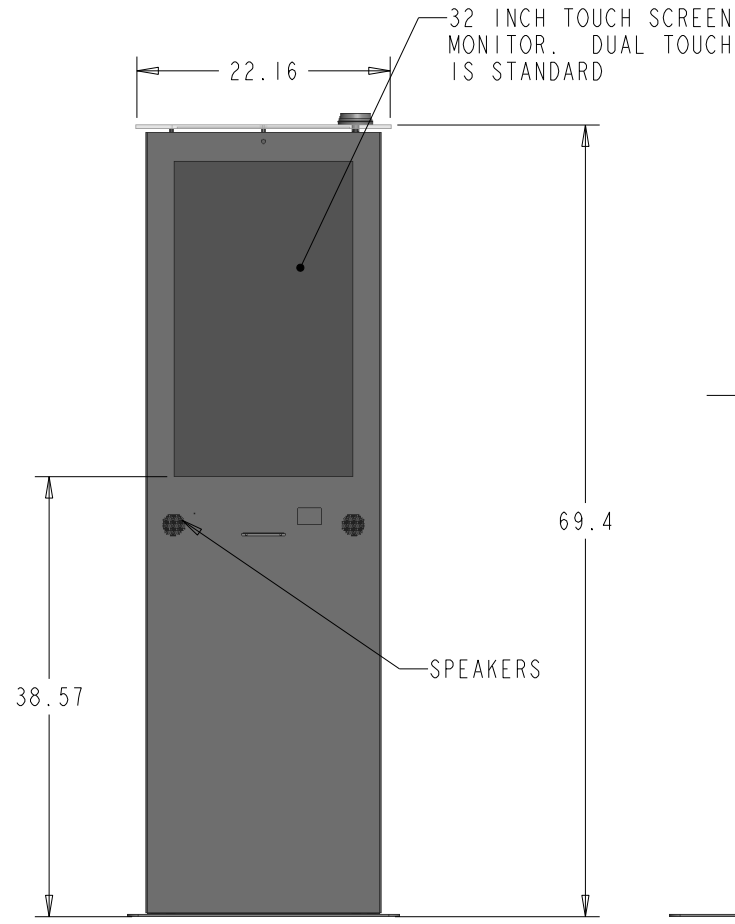


For questions regarding this drawing or product please contact an Advanced Kiosks technical sales representative.
Advanced Kiosks | 134 Hall Street, Units F/G, Concord, NH 03301 | 603-865-1000 | www.advancedkiosks.com

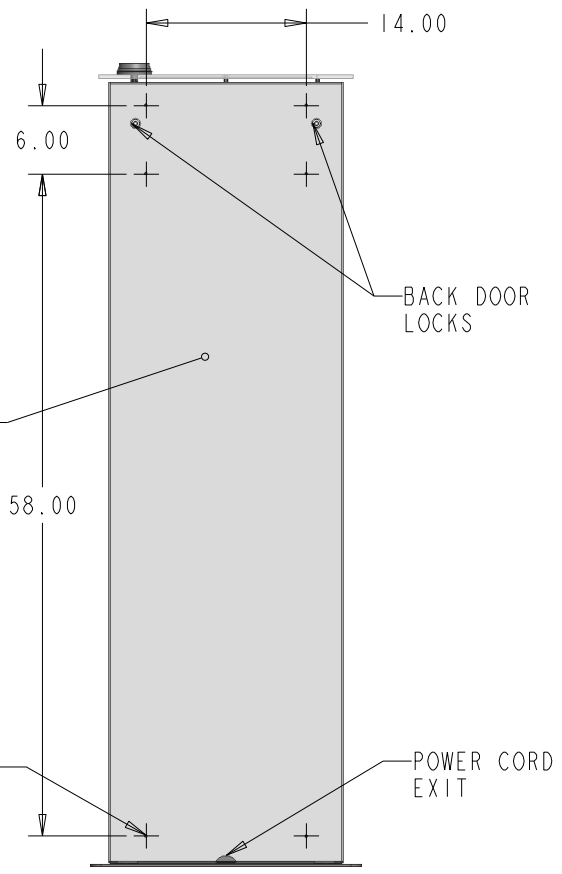
ZONE	LTR	DESCRIPTION	DATE	APPROVED
------	-----	-------------	------	----------

B

A



ACCESS DOOR, THE FULL BACK OF THE KIOSK OPEN UP FOR EASY ACCESS TO ALL ELECTRONICS.



FRONT VIEW

SIDE VIEW

BACK VIEW

STANDARD CONFIGURATION

<small>THIS DRAWING IS PROPRIETARY AND CONSIDERED CONFIDENTIAL. NO REPRODUCTION MAY BE MADE WITHOUT WRITTEN PERMISSION FROM H32 DESIGN AND DEVELOPMENT LLC. WWW.H32.COM</small>	SIZE: B	DRAWING TITLE: Merchant Max Kiosk	REV: A
	DWG #: H32 - 400 - C	SHEET: 2 OF 4	

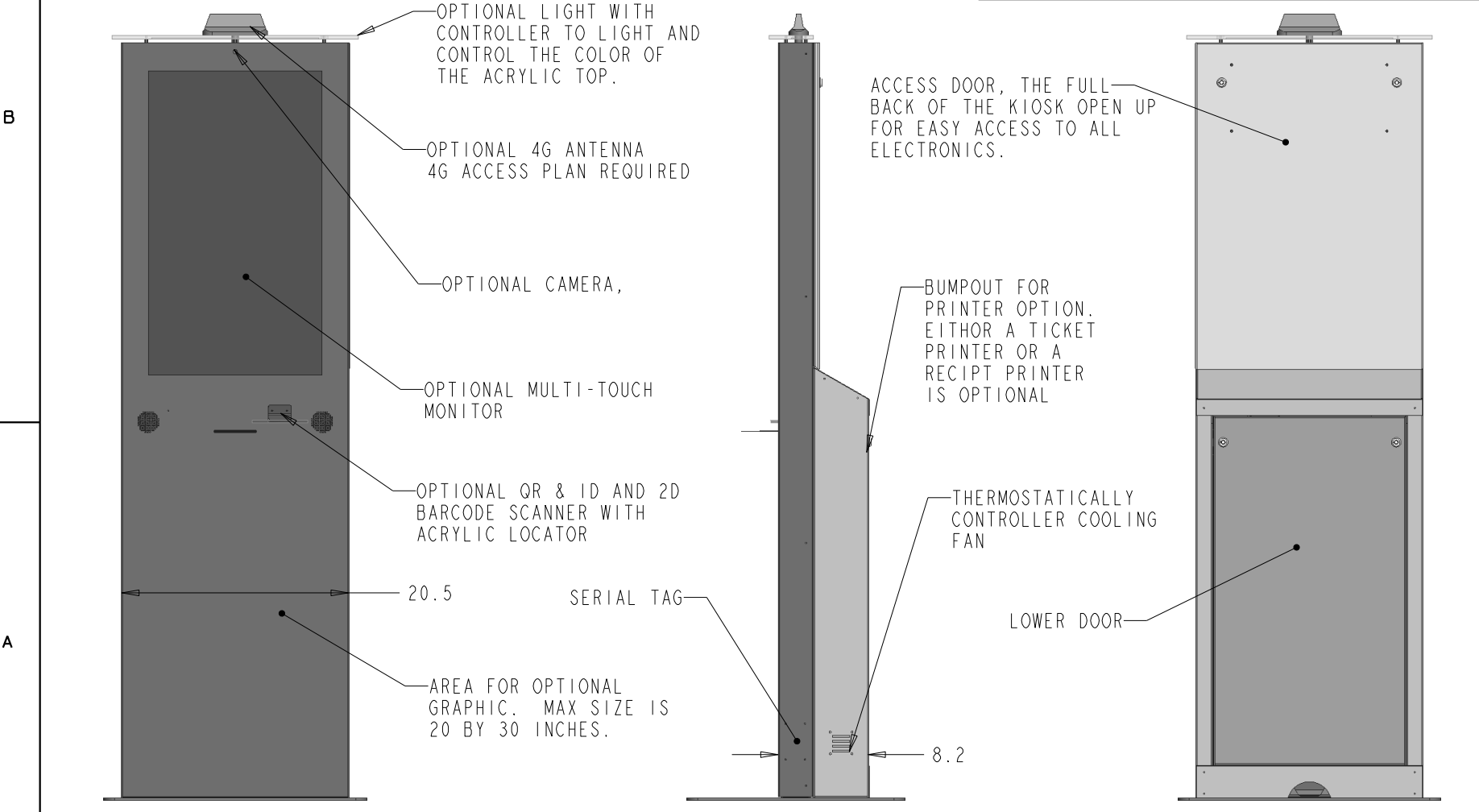
2

11



For questions regarding this drawing or product please contact an Advanced Kiosks technical sales representative.
 Advanced Kiosks | 134 Hall Street, Units F/G, Concord, NH 03301 | 603-865-1000 | www.advancedkiosks.com

ZONE	LTR	DESCRIPTION	DATE	APPROVED



AVAILABLE OPTIONS

<small>THIS DRAWING IS PROPRIETARY AND CONSIDERED CONFIDENTIAL. NO REPRODUCTION MAY BE MADE WITHOUT WRITTEN PERMISSION FROM H32 DESIGN AND DEVELOPMENT LLC. WWW.H32.COM</small>	<small>SIZE:</small> B	<small>DRAWING TITLE:</small> Merchant Max Kiosk	<small>REV:</small> A
	<small>DWG #:</small> H32 - 400 - C	<small>SHEET:</small> 3 OF 4	

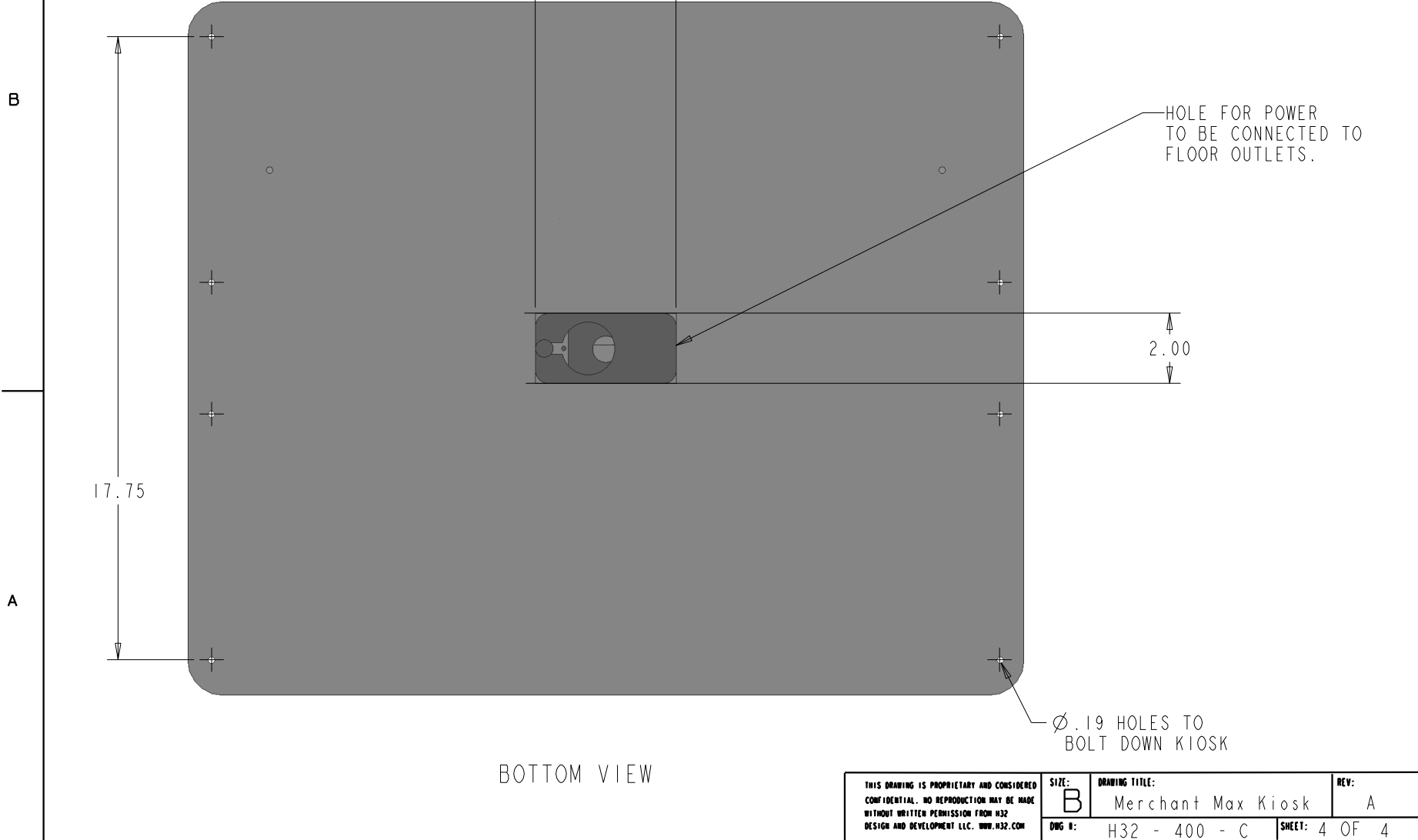
2

11



For questions regarding this drawing or product please contact an Advanced Kiosks technical sales representative.
 Advanced Kiosks | 134 Hall Street, Units F/G, Concord, NH 03301 | 603-865-1000 | www.advancedkiosks.com

ZONE	LTR	DESCRIPTION	DATE	APPROVED



BOTTOM VIEW

<small>THIS DRAWING IS PROPRIETARY AND CONSIDERED CONFIDENTIAL. NO REPRODUCTION MAY BE MADE WITHOUT WRITTEN PERMISSION FROM H32 DESIGN AND DEVELOPMENT LLC. WWW.H32.COM</small>	SIZE: B	DRAWING TITLE: Merchant Max Kiosk	REV: A
	DWG #: H32 - 400 - C	SHEET: 4 OF 4	



For questions regarding this drawing or product please contact an Advanced Kiosks technical sales representative.
 Advanced Kiosks | 134 Hall Street, Units F/G, Concord, NH 03301 | 603-865-1000 | www.advancedkiosks.com