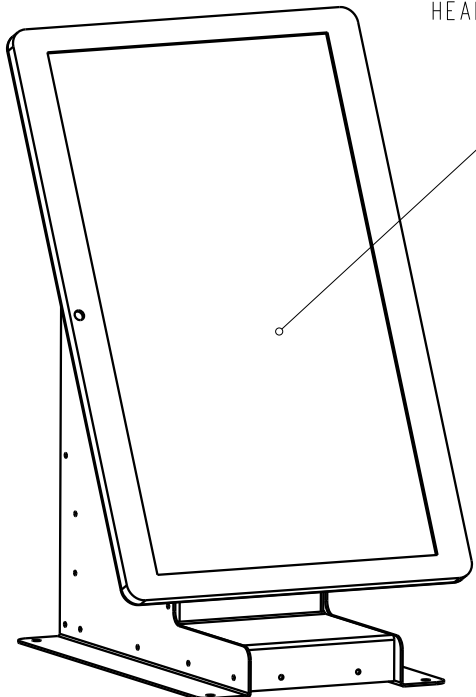


ZONE	LTR	DESCRIPTION	DATE	APPROVED

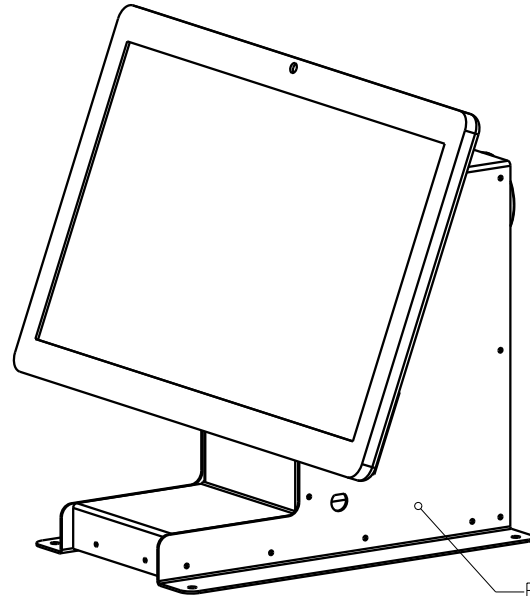
NOTES

1. THIS IS A CUSTOMER DRAWING DO NOT REFERENCE FOR MANUFACTURING. IT IS FOR CUSTOMERS TO REFERENCE ONLY.
2. THIS IS A ENGINEERING MODEL OF THE COUNTERTOP KIOSK ALL FEATURS ARE SHOWN. HOLES THAT ARE SHOWN ARE FILLED WITH FLAT HEAD SCREWS. NO ELECTRONICS ARE SHOWN.

B



MONITOR MOUNT ASSY, 19 INCH WIDE SCREEN MULTI-TOUCH MONITOR.



BASE

Countertop Kiosk monitor mounted horizontally no options

A

Countertop Kiosk monitor mounted vertically no options

DO NOT SCALE FROM PRINT!		DWG INTERPRETATION: ASME Y14.5M-1994 UNLESS OTHERWISE SPECIFIED:		H32 DESIGN AND DEVELOPMENT LLC, 603-865-1000 PO BOX 234, WILMOT NH 03287, www.H32.com Advanced kiosks is a dba of H32	
INSPECTION		DIMENSIONS IN: INCHES		TITLE: COUNTERTOP KIOSK CUSTOMER DWG	
PART STATUS:		TOLERANCES: ± .005		SIZE: D	
LEGEND: " CRITICAL DIMENSION " MAJOR DIMENSION " (IND *) MINOR DIMENSION		SURFACE FINISH: FRACTIONAL: 125 DECIMAL: .125 ANGLES: ± .1° SURFACE ROUGHNESS: TOLERANCES: XX.X XX.XX XX.XXX		DRAWING NUMBER: H32 - 120 - C	
THIS DRAWING IS PROPRIETARY AND CONSIDERED CONFIDENTIAL. NO REPRODUCTION MAY BE MADE WITHOUT WRITTEN PERMISSION FROM H32 DESIGN AND DEVELOPMENT LLC.		THIRD ANGLE PROJECTION		REV: C	
				SCALE: SHEET: 1 OF 4	

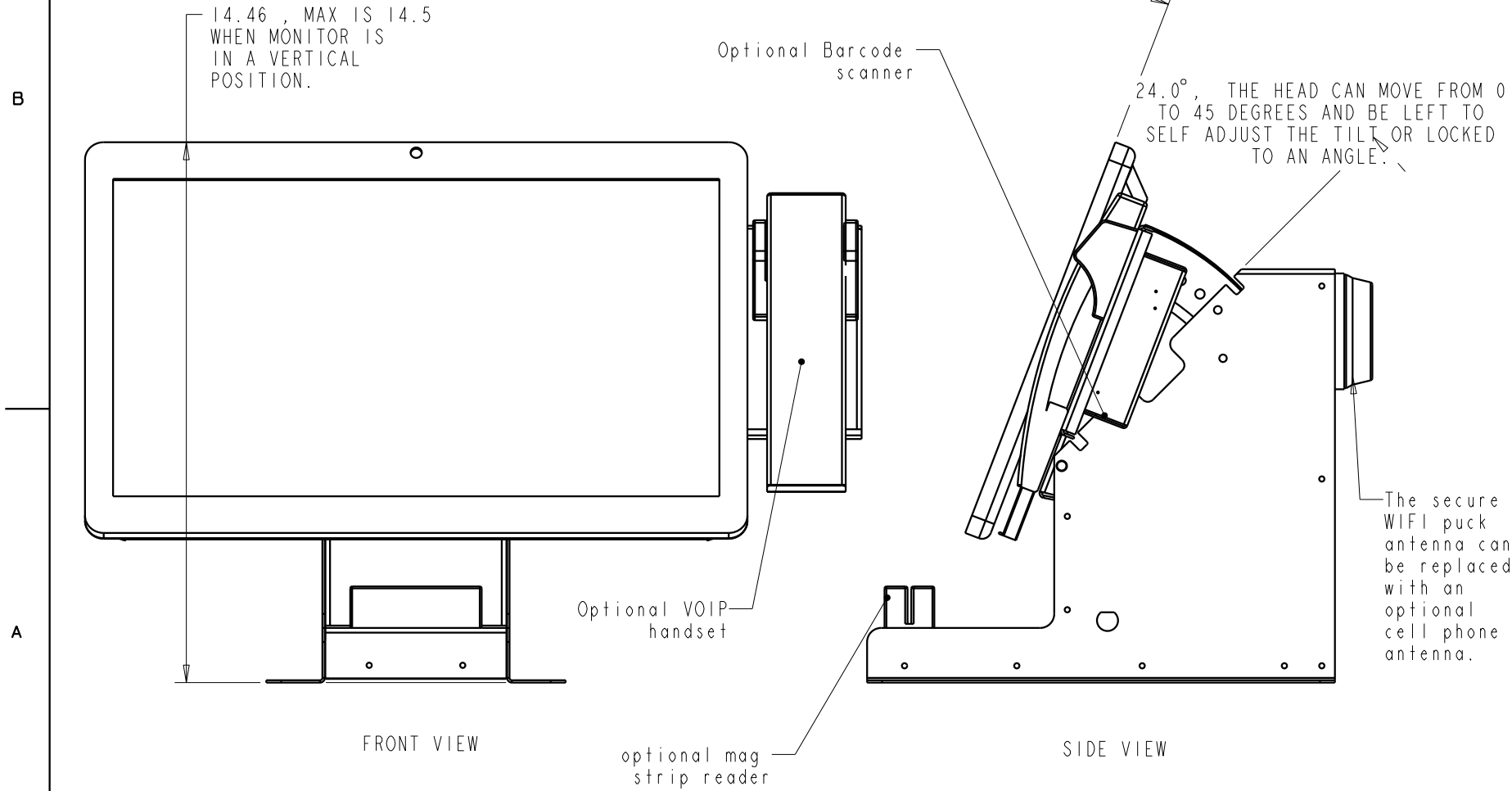
2

1



For questions regarding this drawing or product please contact an Advanced Kiosks technical sales representative.
Advanced Kiosks | 134 Hall Street, Units F/G, Concord NH 03301 | 603-865-1000 | www.advancedkiosks.com

ZONE	LTR	DESCRIPTION	DATE	APPROVED



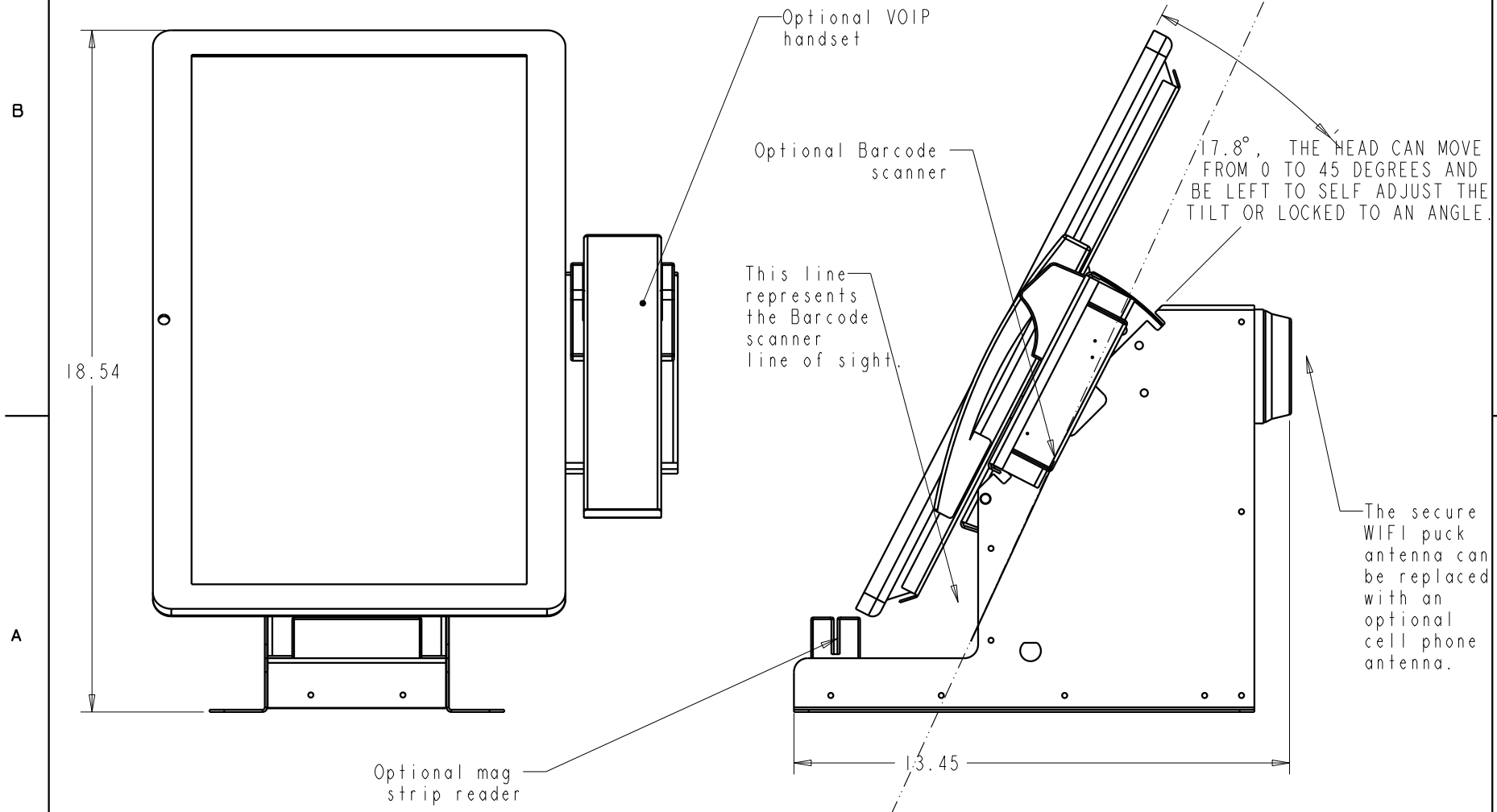
Horizontal placement of monitor with options.

<small>THIS DRAWING IS PROPRIETARY AND CONSIDERED CONFIDENTIAL. NO REPRODUCTION MAY BE MADE WITHOUT WRITTEN PERMISSION FROM H32 DESIGN AND DEVELOPMENT LLC. WWW.H32.COM</small>	<small>SIZE:</small> B	<small>DRAWING FILE:</small> COUNTERTOP KIOSK CUSTOMER DWG	<small>REV:</small> C
	<small>DWG #:</small> H32 - 120 - C		<small>SHEET:</small> 2 OF 5



For questions regarding this drawing or product please contact an Advanced Kiosks technical sales representative.
 Advanced Kiosks | 134 Hall Street, Units F/G, Concord NH 03301 | 603-865-1000 | www.advancedkiosks.com

ZONE	LTR	DESCRIPTION	DATE	APPROVED
------	-----	-------------	------	----------



B

18.54

A

Optional VOIP handset

Optional Barcode scanner

This line represents the Barcode scanner line of sight.

17.8°, THE HEAD CAN MOVE FROM 0 TO 45 DEGREES AND BE LEFT TO SELF ADJUST THE TILT OR LOCKED TO AN ANGLE.

The secure WIFI puck antenna can be replaced with an optional cell phone antenna.

Optional mag strip reader

13.45

Horizontal placement of monitor with options.

THIS DRAWING IS PROPRIETARY AND CONSIDERED CONFIDENTIAL. NO REPRODUCTION MAY BE MADE WITHOUT WRITTEN PERMISSION FROM H32 DESIGN AND DEVELOPMENT LLC. WWW.H32.COM	SIZE: B	DRAWING TITLE: COUNTERTOP KIOSK CUSTOMER DWG	REV: C
	DWG #: H32 - 120 - C	SHEET: 3 OF 5	

2

11



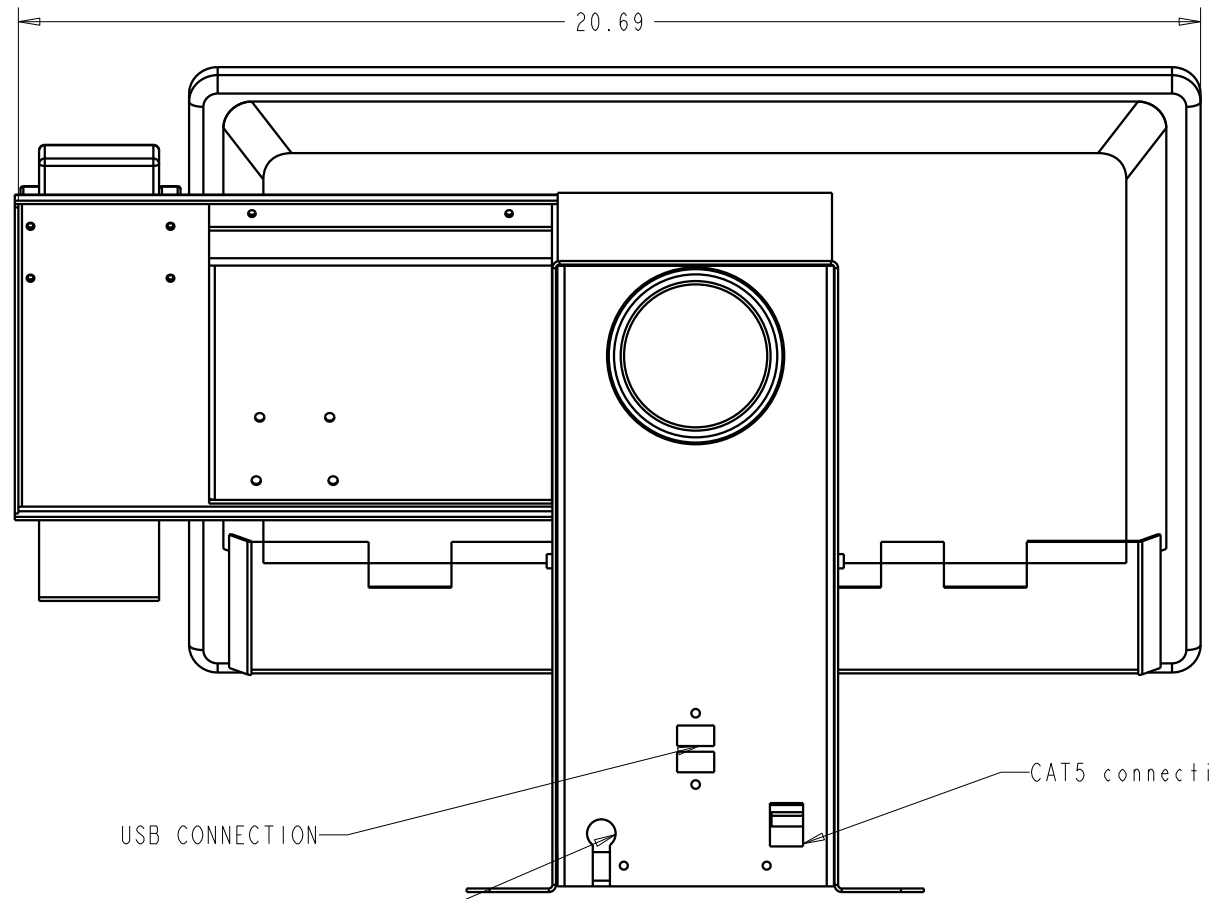
For questions regarding this drawing or product please contact an Advanced Kiosks technical sales representative.
 Advanced Kiosks | 134 Hall Street, Units F/G, Concord NH 03301 | 603-865-1000 | www.advancedkiosks.com

ZONE	LTR	DESCRIPTION	DATE	APPROVED

20.69

B

A



USB CONNECTION

CAT5 connection

POWER CORD
4 FOOT LENGTH.

BACK VIEW

<small>THIS DRAWING IS PROPRIETARY AND CONSIDERED CONFIDENTIAL. NO REPRODUCTION MAY BE MADE WITHOUT WRITTEN PERMISSION FROM H32 DESIGN AND DEVELOPMENT LLC. WWW.H32.COM</small>	<small>SIZE:</small> B	<small>DRAWING FILE:</small> COUNTERTOP KIOSK CUSTOMER DWG	<small>REV:</small> C
	<small>DWG #:</small> H32 - 120 - C	<small>SHEET:</small> 4 OF 5	

2

11

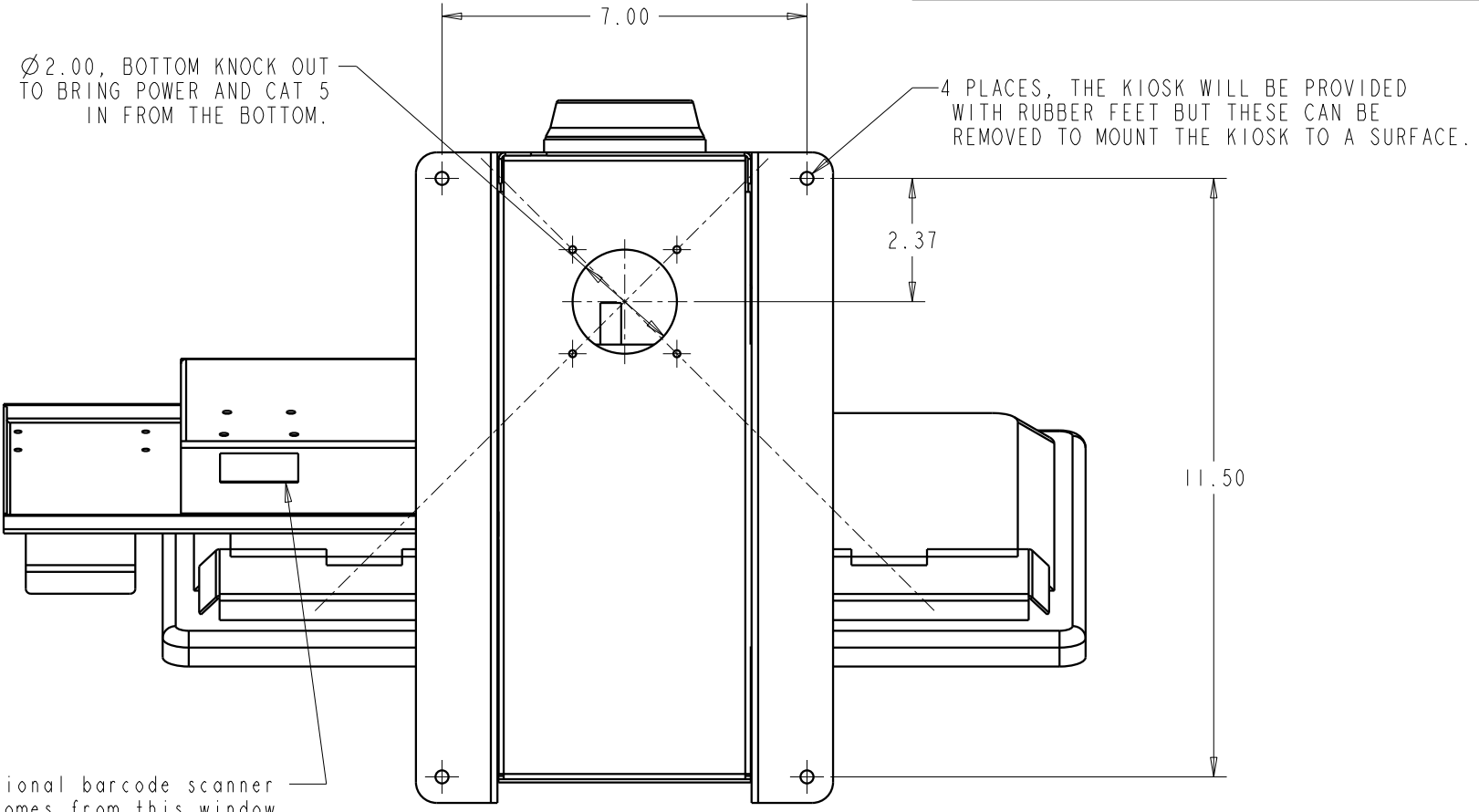


For questions regarding this drawing or product please contact an Advanced Kiosks technical sales representative.
 Advanced Kiosks | 134 Hall Street, Units F/G, Concord NH 03301 | 603-865-1000 | www.advancedkiosks.com

ZONE	LTR	DESCRIPTION	DATE	APPROVED

B

A



BOTTOM VIEW

THIS DRAWING IS PROPRIETARY AND CONSIDERED CONFIDENTIAL. NO REPRODUCTION MAY BE MADE WITHOUT WRITTEN PERMISSION FROM H32 DESIGN AND DEVELOPMENT LLC. WWW.H32.COM	SIZE: B	DRAWING TITLE: COUNTERTOP KIOSK CUSTOMER DWG	REV: C
	DWG #: H32 - 120 - C	SHEET: 5 OF 5	

2

11



For questions regarding this drawing or product please contact an Advanced Kiosks technical sales representative.
 Advanced Kiosks | 134 Hall Street, Units F/G, Concord NH 03301 | 603-865-1000 | www.advancedkiosks.com