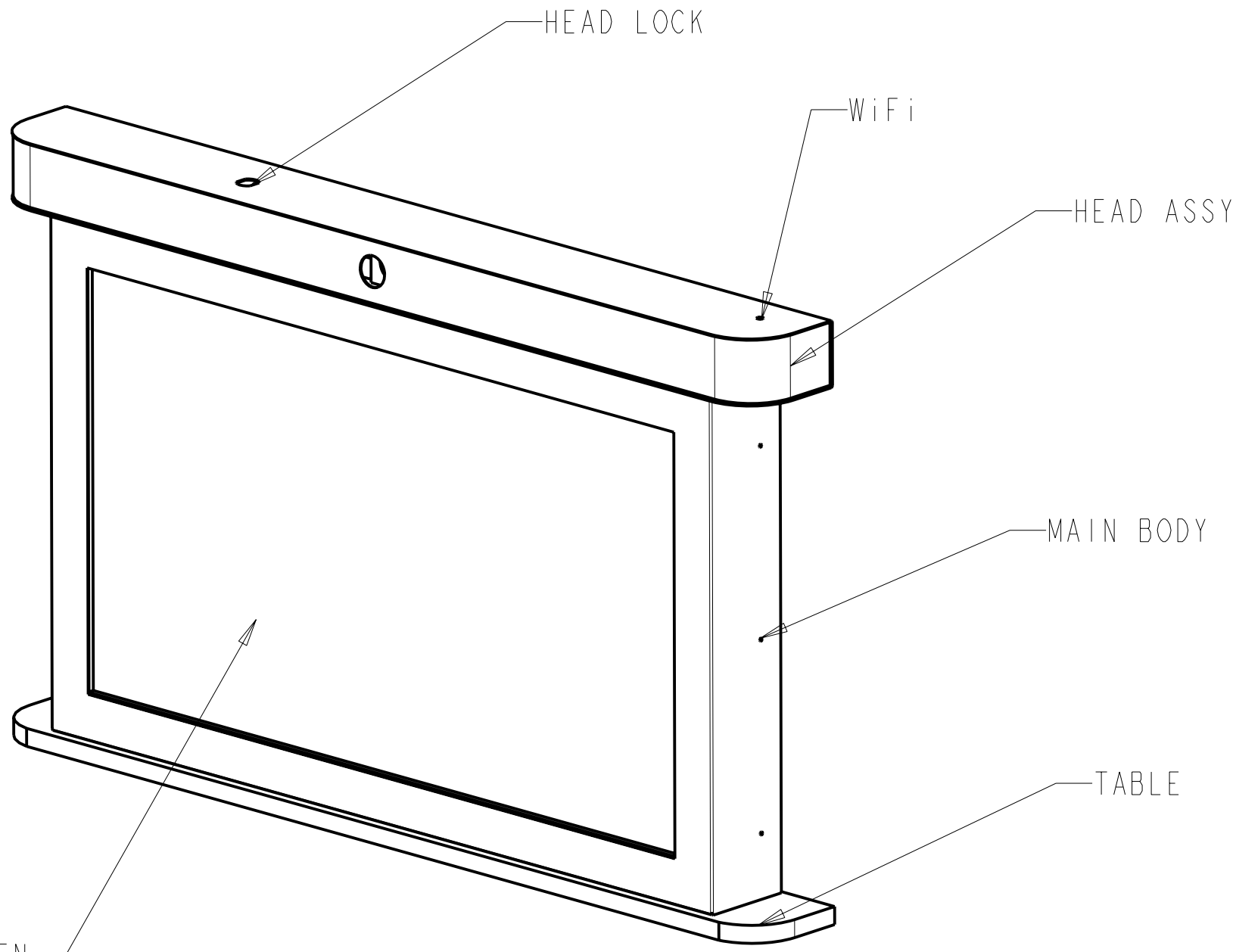


ZONE	LTR	DESCRIPTION	DATE	APPROVED

B

A

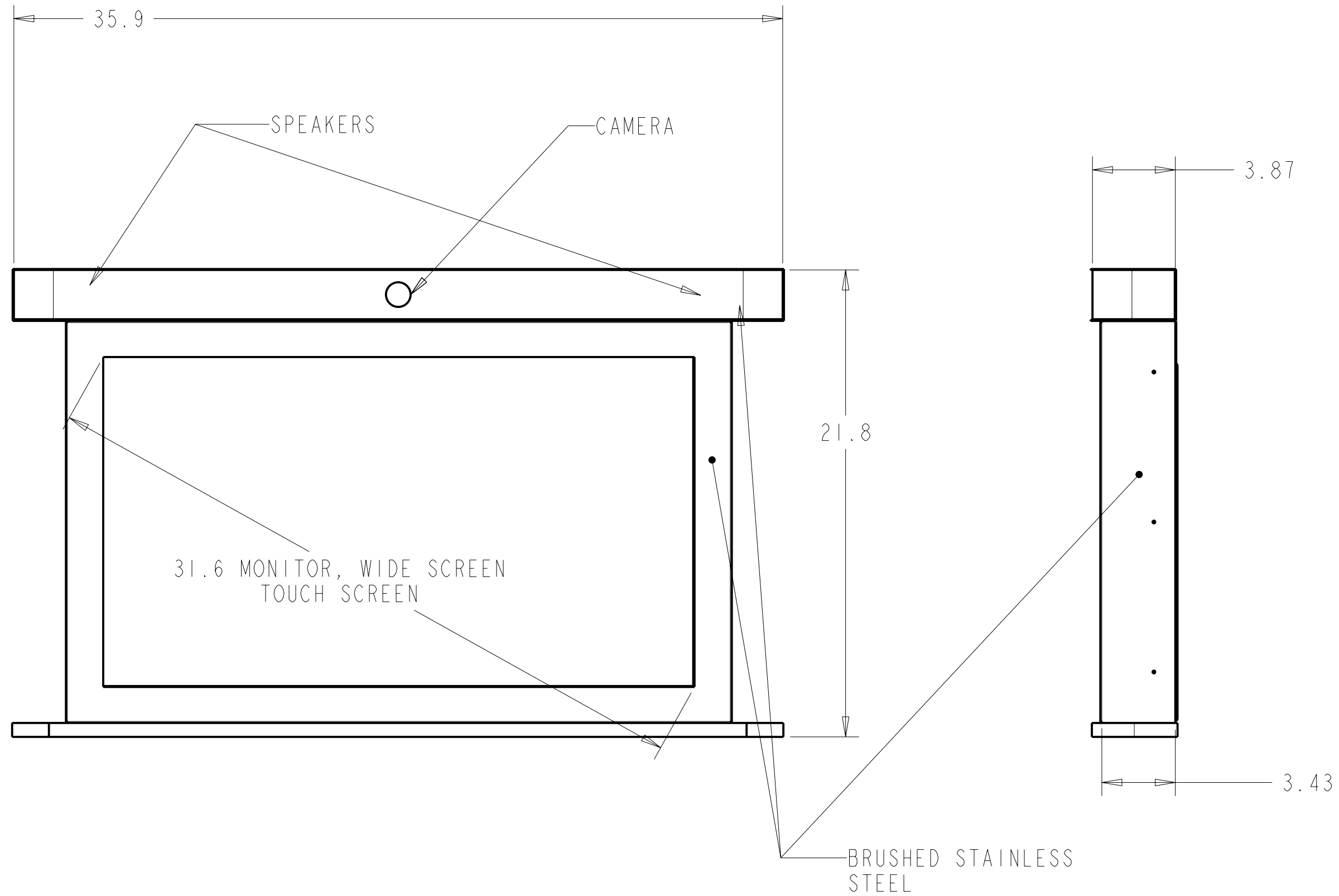


<b>DO NOT SCALE FROM PRINT!</b>		DWG INTERPRETATION: ASME Y14.5M-1994		H32 DESIGN AND DEVELOPMENT LLC	
<b>INSPECTION</b>		UNLESS OTHERWISE SPECIFIED:		39 MTN VIEW RD, WILMOT NH 03287	
PART STATUS:		DIMENSIONS IN: INCHES		603-526-9278, www.H32eng.com	
LEGEND:		TOTAL RUNOUT: .005 INCH		TITLE:	
CRITICAL DIMENSION		PERPENDICULARITY: .005 INCH		Lobby Elite Kiosk	
MAJOR DIMENSION		EDGE BREAKS: .005 - .015		SIZE: D	
MINOR DIMENSION		FILLI RADII: .010 MAX		DRAWING NUMBER: H32 - 60 - 10	
THIS DRAWING IS PROPRIETARY AND CONSIDERED CONFIDENTIAL. NO REPRODUCTION MAY BE MADE WITHOUT WRITTEN PERMISSION FROM H32 DESIGN AND DEVELOPMENT LLC.		ANGLES: ± 0.31°		REV:	
		SURFACE ROUGHNESS: 125/√		SCALE:	
		TOLERANCES:		SHEET: 1 OF 4	
		XX.X ± .02			
		XX.XX ± .010			
		XX.XXX ± .005			
		THIRD ANGLE PROJECTION			

ZONE	LTR	DESCRIPTION	DATE	APPROVED

B

A

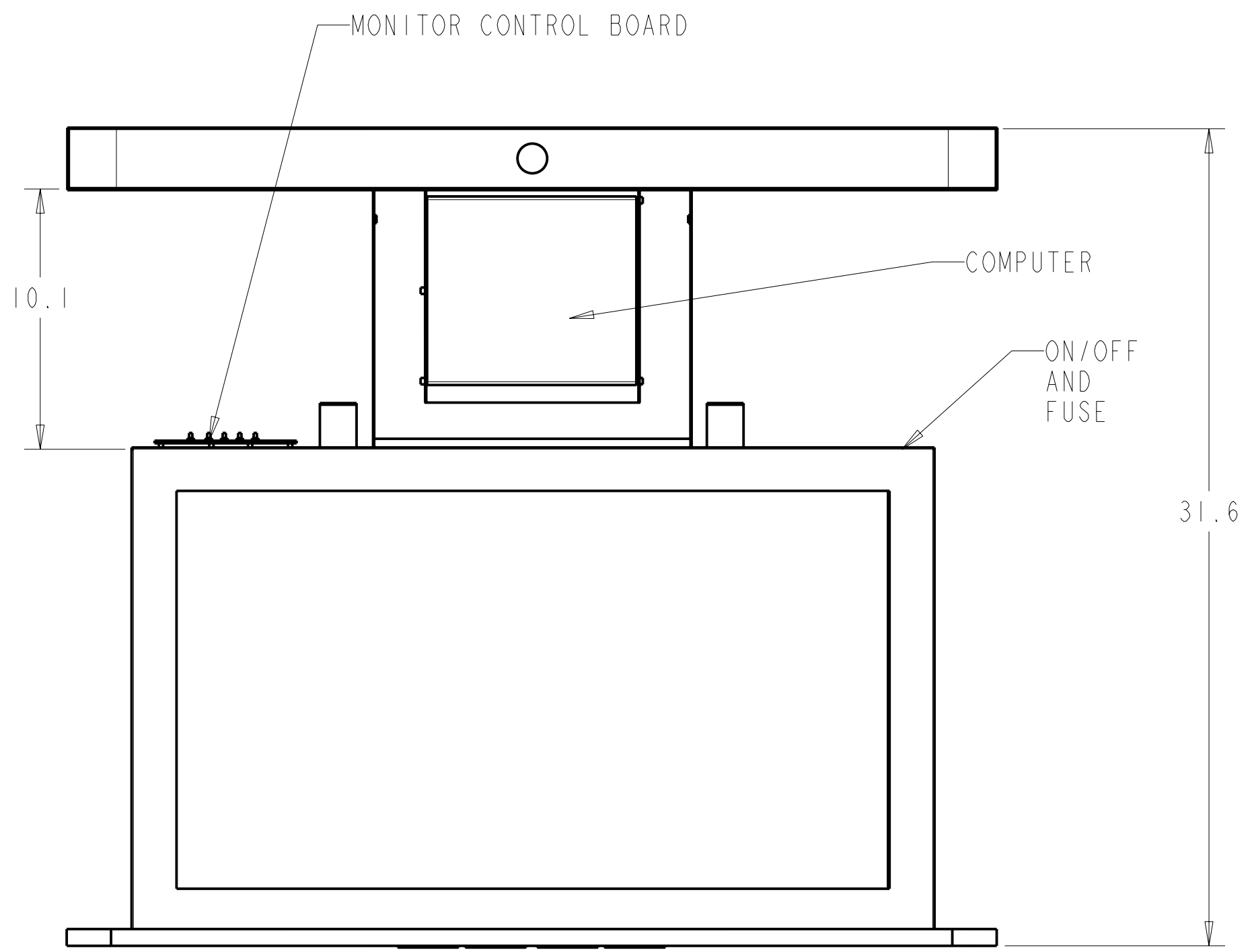


THIS DRAWING IS PROPRIETARY AND CONSIDERED CONFIDENTIAL. NO REPRODUCTION MAY BE MADE WITHOUT WRITTEN PERMISSION FROM H32 DESIGN AND DEVELOPMENT LLC.	SIZE: <b>B</b>	DRAWING TITLE: LOBBY ELITE CUS DWG	REV:
	DWG #: H32 - 60 - 10	SHEET: 2 OF 4	

ZONE	LTR	DESCRIPTION	DATE	APPROVED

B

A

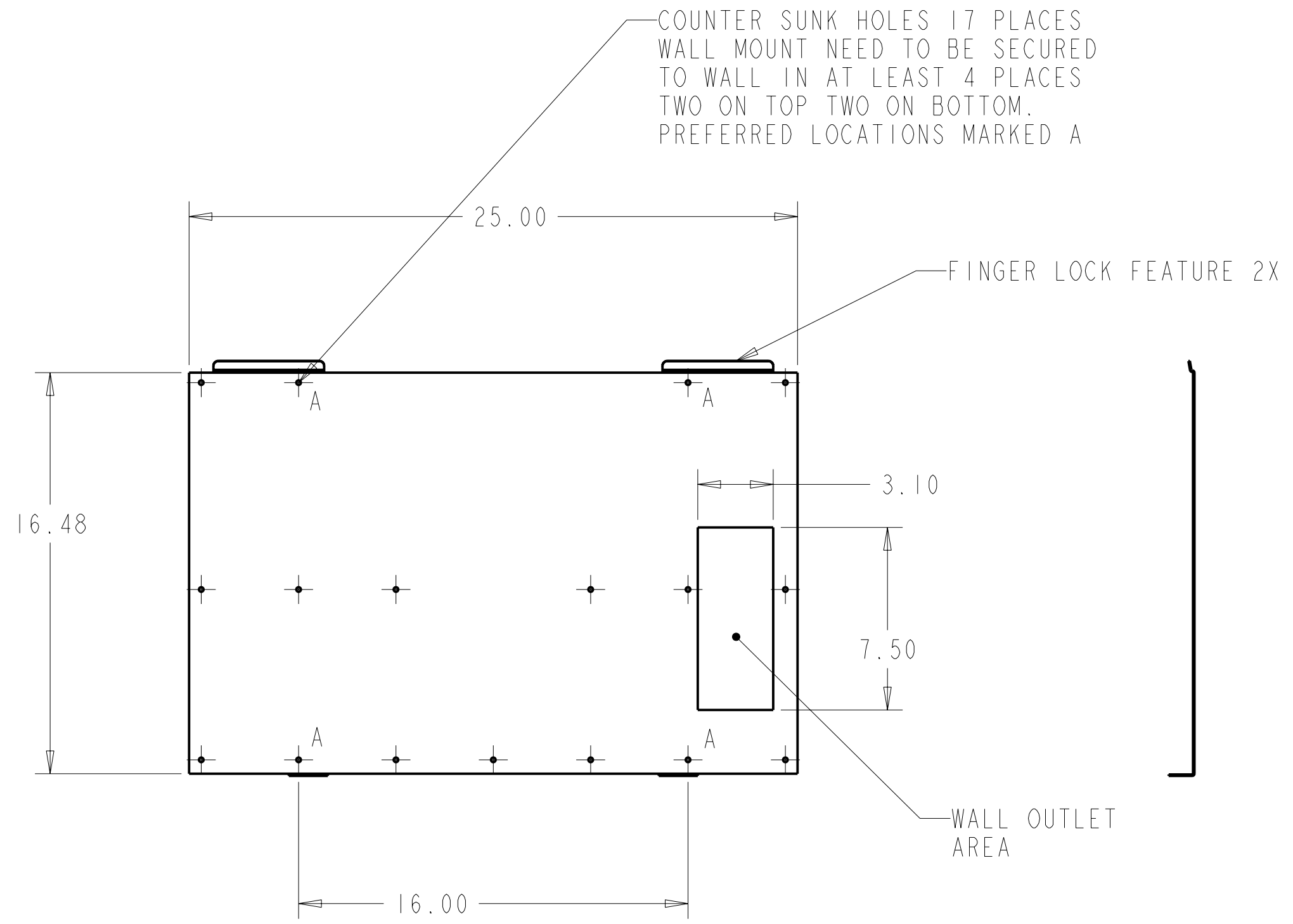


THIS DRAWING IS PROPRIETARY AND CONSIDERED CONFIDENTIAL. NO REPRODUCTION MAY BE MADE WITHOUT WRITTEN PERMISSION FROM H32 DESIGN AND DEVELOPMENT LLC.	SIZE: B	DRAWING TITLE: LOBBY ELITE CUS DWG	REV:
	DWG #: H32 - 60 - 10	SHEET: 3 OF 4	DATE:

ZONE	LTR	DESCRIPTION	DATE	APPROVED

B

A



THIS DRAWING IS PROPRIETARY AND CONSIDERED CONFIDENTIAL. NO REPRODUCTION MAY BE MADE WITHOUT WRITTEN PERMISSION FROM H32 DESIGN AND DEVELOPMENT LLC.	SIZE: B	DRAWING TITLE: LOBBY ELITE CUS DWG	REV:
	DWG #: H32 - 60 - 10		SHEET: 4 OF 4