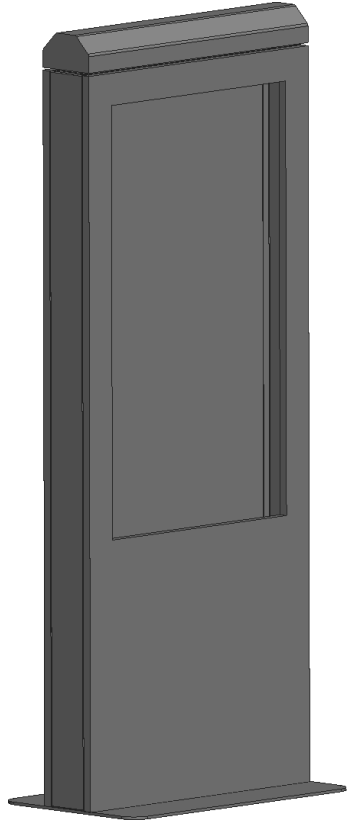


ZONE	LTR	DESCRIPTION	DATE	APPROVED

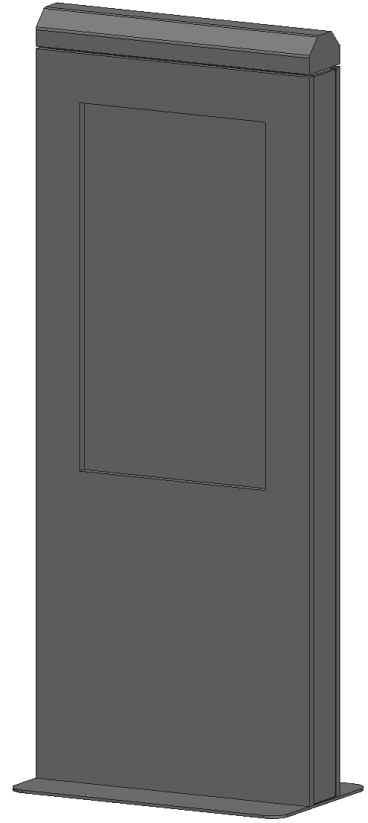
B



MONOLITH 55 INCH
OUTDOOR KIOSK

NOTES

1. THIS IS A CUSTOMER DRAWING DO NOT REFERENCE FOR MANUFACTURING. IT IS FOR CUSTOMER REFERENCE ONLY.
2. THIS IS A ENGINEERING MODEL OF THE MONOLITH KIOSK ALL FEATURES ARE SHOWN. HOLES THAT ARE SHOWN ARE FILLED WITH FLAT HEAD SCREWS. NO ELECTRONICS ARE SHOWN
3. THIS DRAWING IS TO COMMUNICATE TO CUSTOMERS THE SIZE OF THE KIOSK FOR GRAPHICAL LAMINATES, AND MOUNTING POINTS.
4. THIS DRAWING IS FOR THE OUTDOOR VERSION OF THE MONOLITH KIOSK ONLY.



MONOLITH 47 INCH
OUTDOOR KIOSK

A

DO NOT SCALE FROM PRINT!		DWG INTERPRETATION: ASME Y14.5M-1994 UNLESS OTHERWISE SPECIFIED:		H32 DESIGN AND DEVELOPMENT LLC, 603-865-1000 PO BOX 234, WILMOT NH 03287, www.H32.com Advanced kiosks is a dba of H32	
INSPECTION		DIMENSIONS IN: INCHES		TITLE: OUTDOOR MONOLITH KIOSK 47 & 55 INCH	
PART STATUS:		TOLERANCES: ± .01		SIZE: D	
LEGEND: " CRITICAL DIMENSION " MAJOR DIMENSION (IND *) MINOR DIMENSION		SURFACE FINISH: FRACTIONAL: .005-.015 DECIMAL: .010-.015 ANGLES: ± .1° SURFACE ROUGHNESS: 25		DRAWING NUMBER: H32 - 530 - C	
THIS DRAWING IS PROPRIETARY AND CONSIDERED CONFIDENTIAL. NO REPRODUCTION MAY BE MADE WITHOUT WRITTEN PERMISSION FROM H32 DESIGN AND DEVELOPMENT LLC.		THIRD ANGLE PROJECTION		REV: A	
				SCALE: SHEET: 1 OF 5	

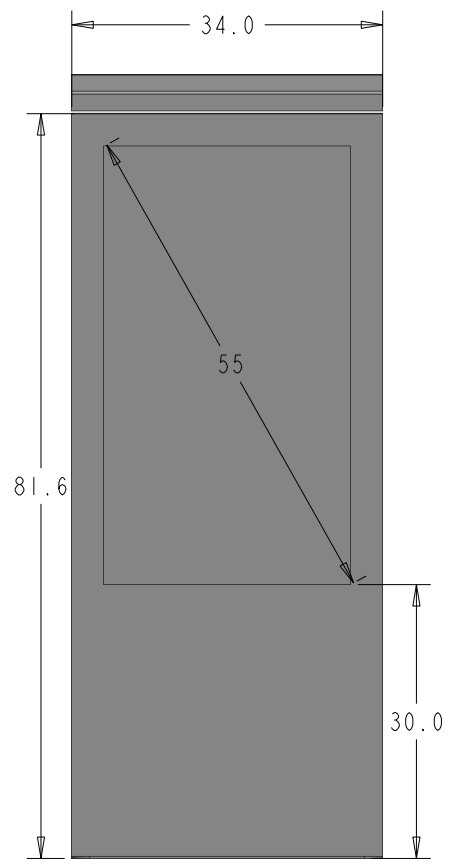
2

1

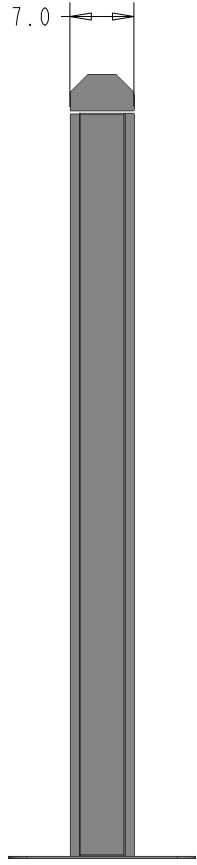


For questions regarding this drawing or product please contact an Advanced Kiosks technical sales representative.
Advanced Kiosks | 134 Hall Street, Units F/G, Concord, NH 03301 | 603-865-1000 | www.advancedkiosks.com

ZONE	LTR	DESCRIPTION	DATE	APPROVED



FRONT VIEW



SIDE VIEW



BACK VIEW

MONOLITH 55 INCH OUTDOOR KIOSK

<small>THIS DRAWING IS PROPRIETARY AND CONSIDERED CONFIDENTIAL. NO REPRODUCTION MAY BE MADE WITHOUT WRITTEN PERMISSION FROM H32 DESIGN AND DEVELOPMENT LLC. WWW.H32.COM</small>	<small>SIZE:</small> B	<small>DRAWING TITLE:</small> MONOLITH KIOSK	<small>REV:</small> A
	<small>DWG #:</small> H32 - 510 - C	<small>SHEET:</small> 2 OF 4	

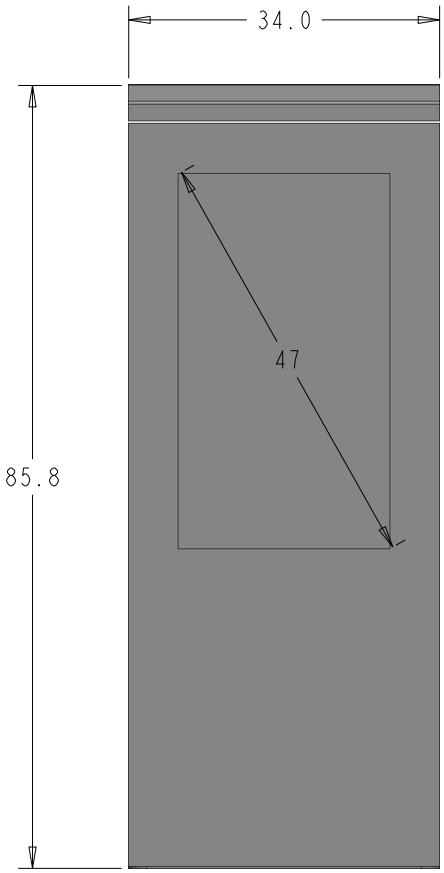
2

11

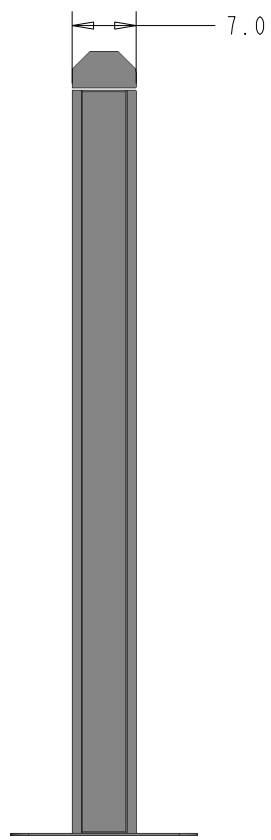


For questions regarding this drawing or product please contact an Advanced Kiosks technical sales representative.
 Advanced Kiosks | 134 Hall Street, Units F/G, Concord, NH 03301 | 603-865-1000 | www.advancedkiosks.com

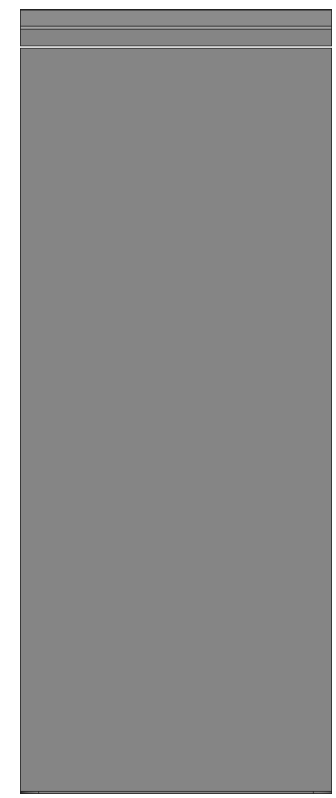
ZONE	LTR	DESCRIPTION	DATE	APPROVED



FRONT VIEW



SIDE VIEW



BACK VIEW

MONOLITH 47 INCH OUTDOOR KIOSK

<small>THIS DRAWING IS PROPRIETARY AND CONSIDERED CONFIDENTIAL. NO REPRODUCTION MAY BE MADE WITHOUT WRITTEN PERMISSION FROM H32 DESIGN AND DEVELOPMENT LLC. WWW.H32.COM</small>	<small>SIZE:</small> B	<small>DRAWING TITLE:</small> MONOLITH KIOSK	<small>REV:</small> A
	<small>DWG #:</small> H32 - 510 - C	<small>SHEET:</small> 3 OF 4	

2

11



For questions regarding this drawing or product please contact an Advanced Kiosks technical sales representative.
 Advanced Kiosks | 134 Hall Street, Units F/G, Concord, NH 03301 | 603-865-1000 | www.advancedkiosks.com

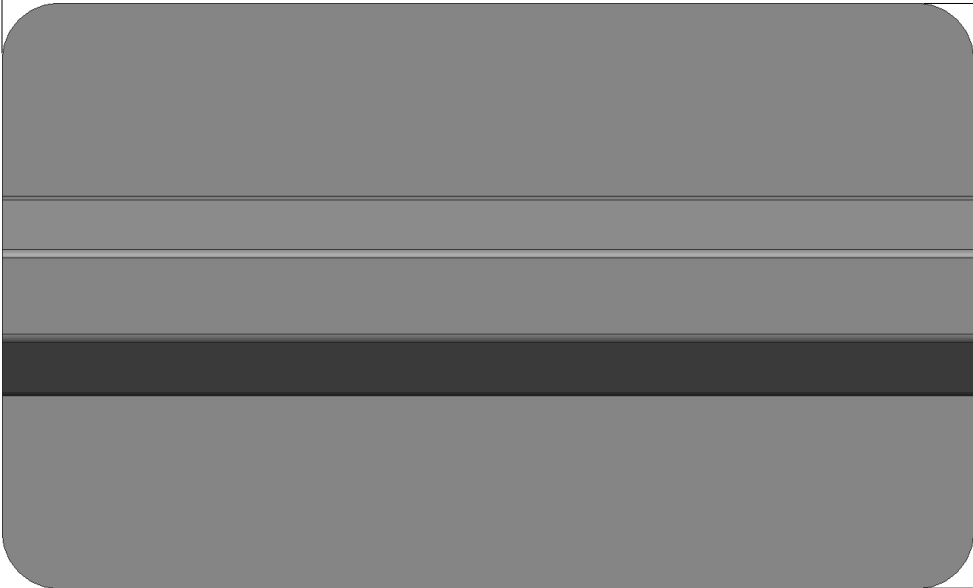
ZONE	LTR	DESCRIPTION	DATE	APPROVED

B

34.00

20.50

A



MONOLITH KIOSK 55 & 47 INCH
OUTDOOR KIOSK TOP VIEW

<small>THIS DRAWING IS PROPRIETARY AND CONSIDERED CONFIDENTIAL. NO REPRODUCTION MAY BE MADE WITHOUT WRITTEN PERMISSION FROM H32 DESIGN AND DEVELOPMENT LLC. WWW.H32.COM</small>	<small>SIZE:</small> B	<small>DRAWING TITLE:</small> MONOLITH KIOSK	<small>REV:</small> A
	<small>DWG #:</small> H32 - 510 - C	<small>SHEET:</small> 4 OF 4	

2

11



For questions regarding this drawing or product please contact an Advanced Kiosks technical sales representative.
 Advanced Kiosks | 134 Hall Street, Units F/G, Concord, NH 03301 | 603-865-1000 | www.advancedkiosks.com