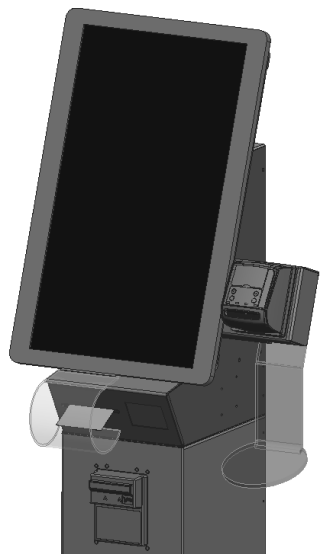


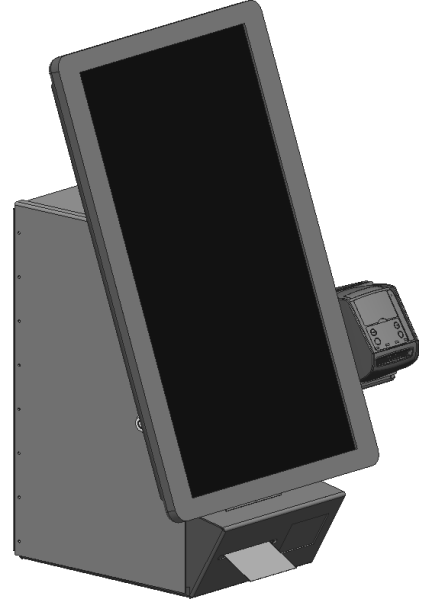
ZONE	LTR	DESCRIPTION	DATE	APPROVED

B



NOTES:

1. THIS IS A CUSTOMER DRAWING DO NOT REFERENCE FOR MANUFACTURING. IT IS ONLY FOR CUSTOMERS TO REFERENCE.
2. THIS IS A ENGINEERING MODEL OF THE TICKETING KIOSK. ALL FEATURES ARE SHOWN. HOLES AND OTHER FEATURES ARE FILLED DURING PAINT OR FOR WELDING MAY BE VISABLE.



A



TICKETING KIOSK WITH PEDISTAL AND BASE PLATE. SEE PAGE 2 - 4

TICKETING PRINTER COUNTERTOP CONFIGURATION SEE PAGE 5 TO 7

DO NOT SCALE FROM PRINT!		DWG INTERPRETATION: ASME Y14.5M-1994 UNLESS OTHERWISE SPECIFIED:		H32 DESIGN AND DEVELOPMENT LLC, 603-865-1000 PO BOX 234, WILMOT NH 03287, www.H32.com Advanced kiosks is a dba of H32	
INSPECTION		DIMENSIONS IN: INCHES		TITLE: TICKETING KIOSK, CUSTOMER DRAWING	
PART STATUS:		TOLERANCES:		SIZE: D	
LEGEND:		THIRD ANGLE PROJECTION		DRAWING NUMBER: h32 - 220 - C	
CRITICAL DIMENSION MAJOR DIMENSION MINOR DIMENSION		± .010 ± .015 ± .020 ± .030 ± .040 ± .050		REV: B	
THIS DRAWING IS PROPRIETARY AND CONSIDERED CONFIDENTIAL. NO REPRODUCTION MAY BE MADE WITHOUT WRITTEN PERMISSION FROM H32 DESIGN AND DEVELOPMENT LLC.		SURFACE ROUGHNESS: $\sqrt{25}$		SCALE: SHEET: 1 OF 3	

2

1

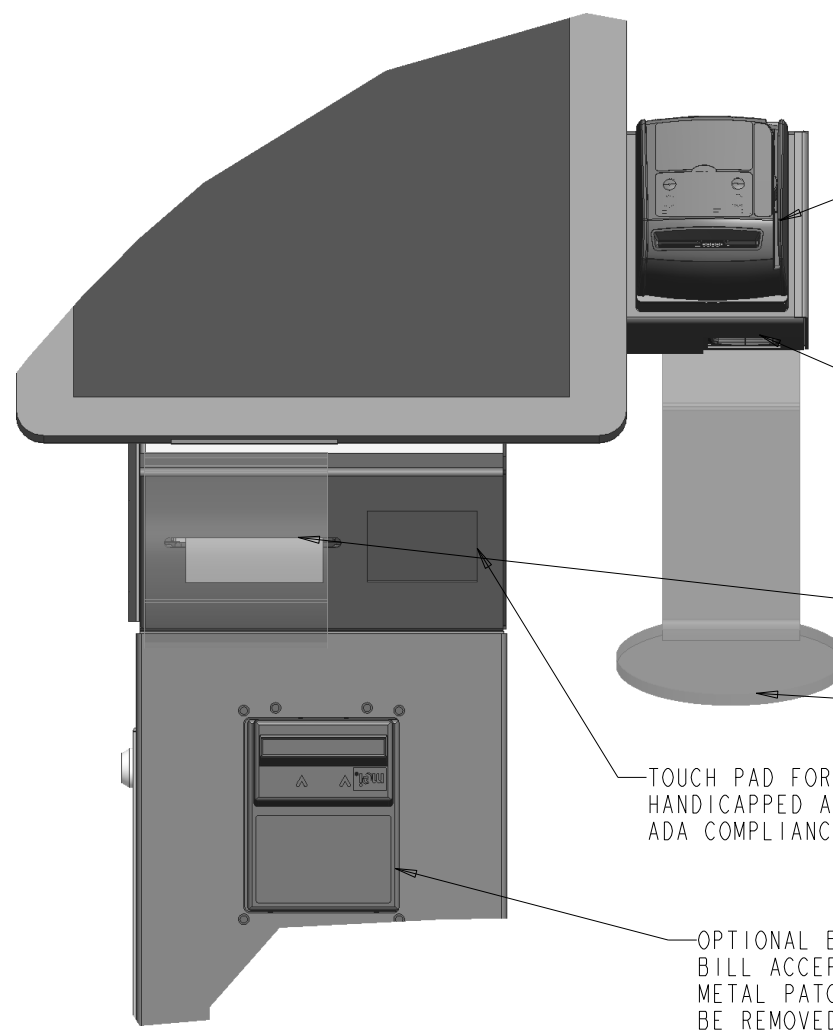


For questions regarding this drawing or product please contact an Advanced Kiosks technical sales representative.
 Advanced Kiosks | 134 Hall Street, Units F/G, Concord, NH 03301 | 603-865-1000 | www.advancedkiosks.com

ZONE	LTR	DESCRIPTION	DATE	APPROVED

B

A



CREDIT CARD OR EMV READER
MANY OPTIONS ARE AVAILABLE
FROM INGENICO, IDTECH, PAX, VERIFONE.
WE CAN ALSO DO JUST A MAGNETIC
STRIP READER.

BARCODE QR CODE SCANNER CONCEALED IN THE ARM.
THE ARM CAN BE UNLOCKED FOR INSID THE KIOSK TO
ACCESS THE BARCODE SCANNER AND THE BACK OF THE
CREDIT CARD READER.

HIGH DENSITY THERMAL PRINTER
WITH PRESENTER.

THE PLASTIC ARM IS A TARGET
TO HELP USERS TO KNOW WHERE
TO HOLD THEIR PHONE OR RECIPT
FOR QUICKER SCANNING AND
SHORTING ACCESS TIME. A STICKER
IS ON TOP FOR CUSTOMER DIRECTIONS.

TOUCH PAD FOR
HANDICAPPED AND
ADA COMPLIANCE.

OPTIONAL BILL ACCEPTOR OR BILL RECYCLER. IF
BILL ACCEPTOR IS NOT ORDERED WITH KIOSK A
METAL PATCH WILL BE INSTALLED. THIS CAN EASILY
BE REMOVED FOR A FIELD INSTALL OF A BILL ACCEPTOR.

DETAIL A
SCALE 0.400

THIS DRAWING IS PROPRIETARY AND CONSIDERED CONFIDENTIAL. NO REPRODUCTION MAY BE MADE WITHOUT WRITTEN PERMISSION FROM H32 DESIGN AND DEVELOPMENT LLC. WWW.H32.COM	SIZE:	DRAWING TITLE:	REV:
	B	TICKETING KIOSKS CUS	B
DWG #:	H32 - 220 - C	SHEET: 2 OF 6	

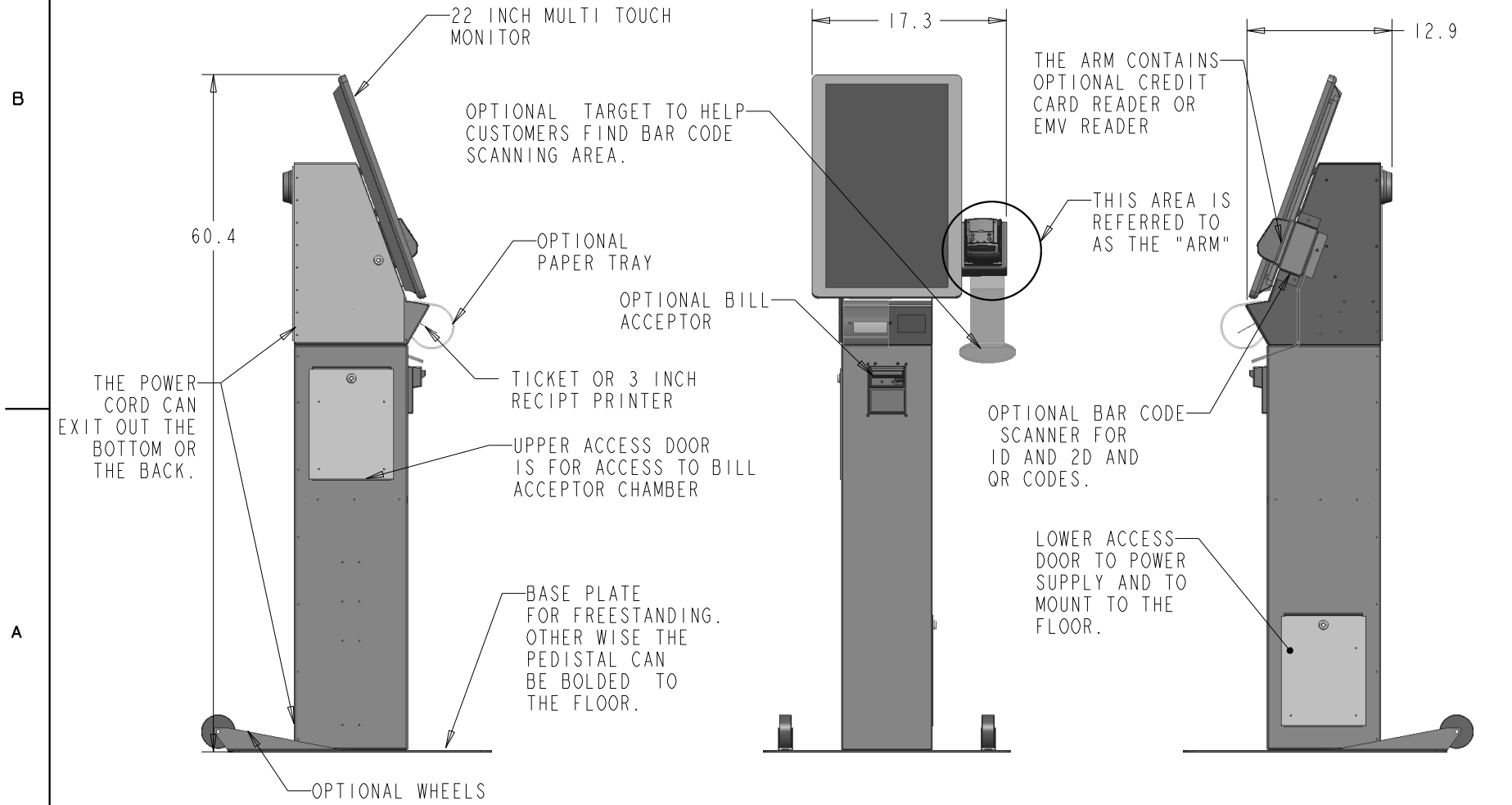
2

11



For questions regarding this drawing or product please contact an Advanced Kiosks technical sales representative.
Advanced Kiosks | 134 Hall Street, Units F/G, Concord, NH 03301 | 603-865-1000 | www.advancedkiosks.com

ZONE	LTR	DESCRIPTION	DATE	APPROVED
------	-----	-------------	------	----------



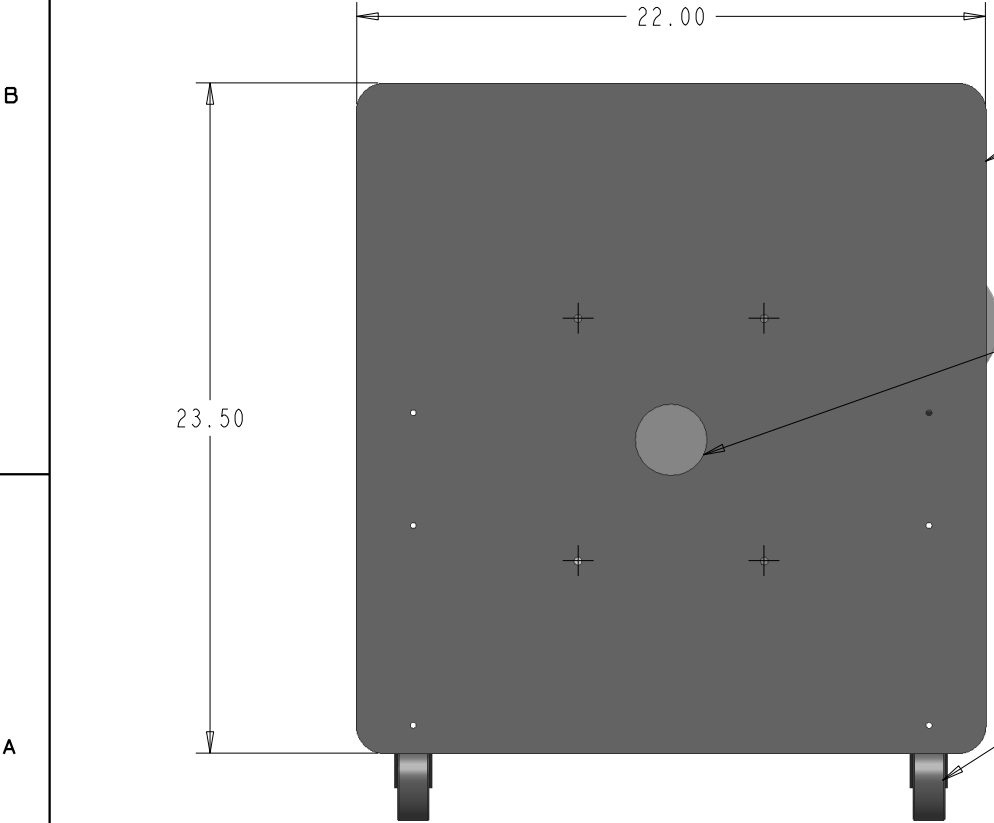
TICKETING KIOSK WITH PEDISTAL

<small>THIS DRAWING IS PROPRIETARY AND CONSIDERED CONFIDENTIAL. NO REPRODUCTION MAY BE MADE WITHOUT WRITTEN PERMISSION FROM H32 DESIGN AND DEVELOPMENT LLC. WWW.H32.COM</small>	<small>SIZE:</small> B	<small>DRAWING TITLE:</small> TICKETING KIOSKS CUS	<small>REV:</small> B
	<small>DWG #:</small> H32 - 220 - C	<small>SHEET:</small> 3 OF 6	



For questions regarding this drawing or product please contact an Advanced Kiosks technical sales representative.
 Advanced Kiosks | 134 Hall Street, Units F/G, Concord, NH 03301 | 603-865-1000 | www.advancedkiosks.com

ZONE	LTR	DESCRIPTION	DATE	APPROVED



THE BASE CAN BE REMOVED TO MOUNT THE PEDISTAL TO THE FLOOR. THE LOWER DOOR IS THE ACCESS POINT TO UNBLOT THE BASE AND TO BOLT TO THE FLOOR.

2.5 INCH HOLE FOR FLOOR OUTLET ACCESS

THE OPTIONAL WHEEL ARE EASILY REMOVABLE WITH ALLEN WRENCH.

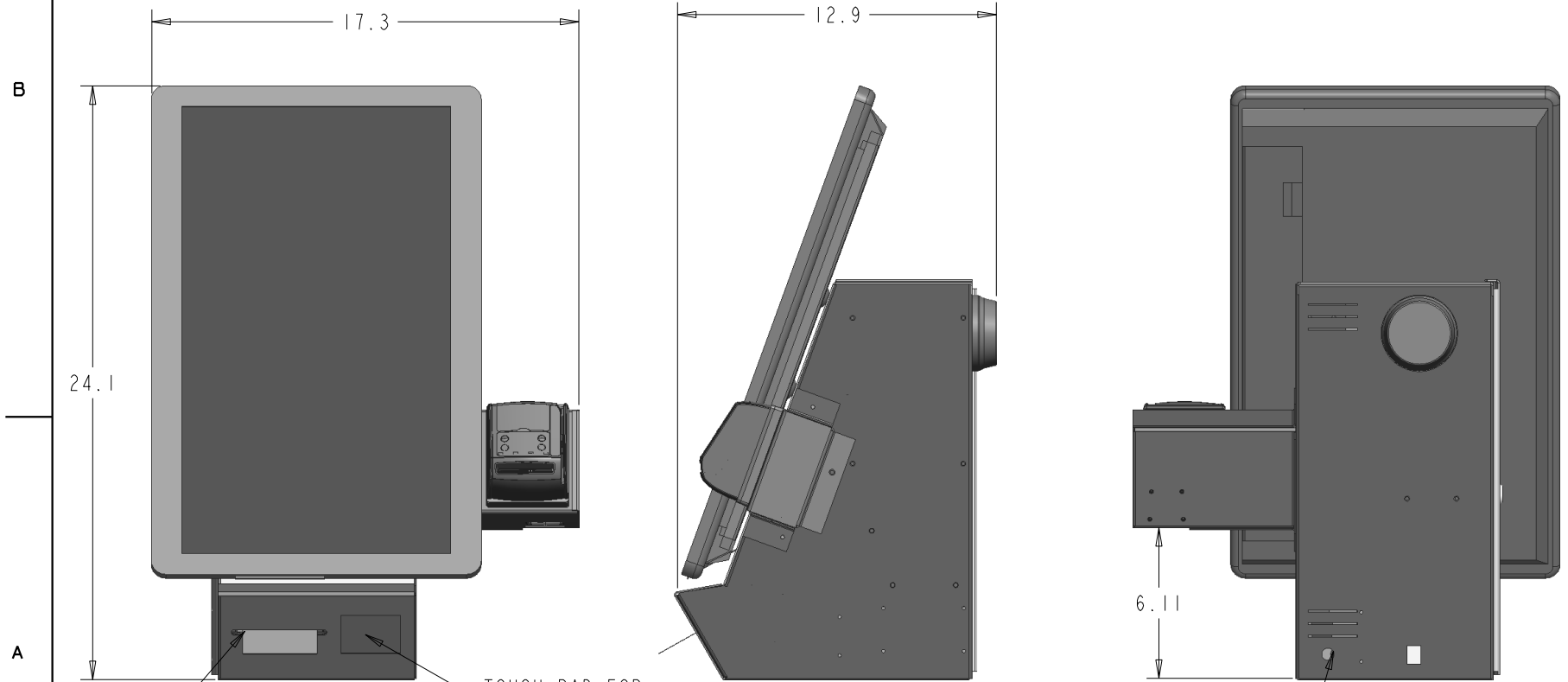
BOTTOM VIEW

THIS DRAWING IS PROPRIETARY AND CONSIDERED CONFIDENTIAL. NO REPRODUCTION MAY BE MADE WITHOUT WRITTEN PERMISSION FROM H32 DESIGN AND DEVELOPMENT LLC. WWW.H32.COM	SIZE: B	DRAWING TITLE: TICKETING KIOSKS CUS	REV: B
	DWG #: H32 - 220 - C	SHEET: 4 OF 6	



For questions regarding this drawing or product please contact an Advanced Kiosks technical sales representative.
 Advanced Kiosks | 134 Hall Street, Units F/G, Concord, NH 03301 | 603-865-1000 | www.advancedkiosks.com

ZONE	LTR	DESCRIPTION	DATE	APPROVED



TOUCH PAD FOR HANDICAPPED AND ADA COMPLIANCE.

HIGH DENSITY THERMAL PRINTER WITH PRESENTER.

THE COUNTERTOP CAN EITHER HAVE THE POWER CORD COME OUT THE BACK HERE OR THROUGH THE BOTTOM SEE PAGE 6

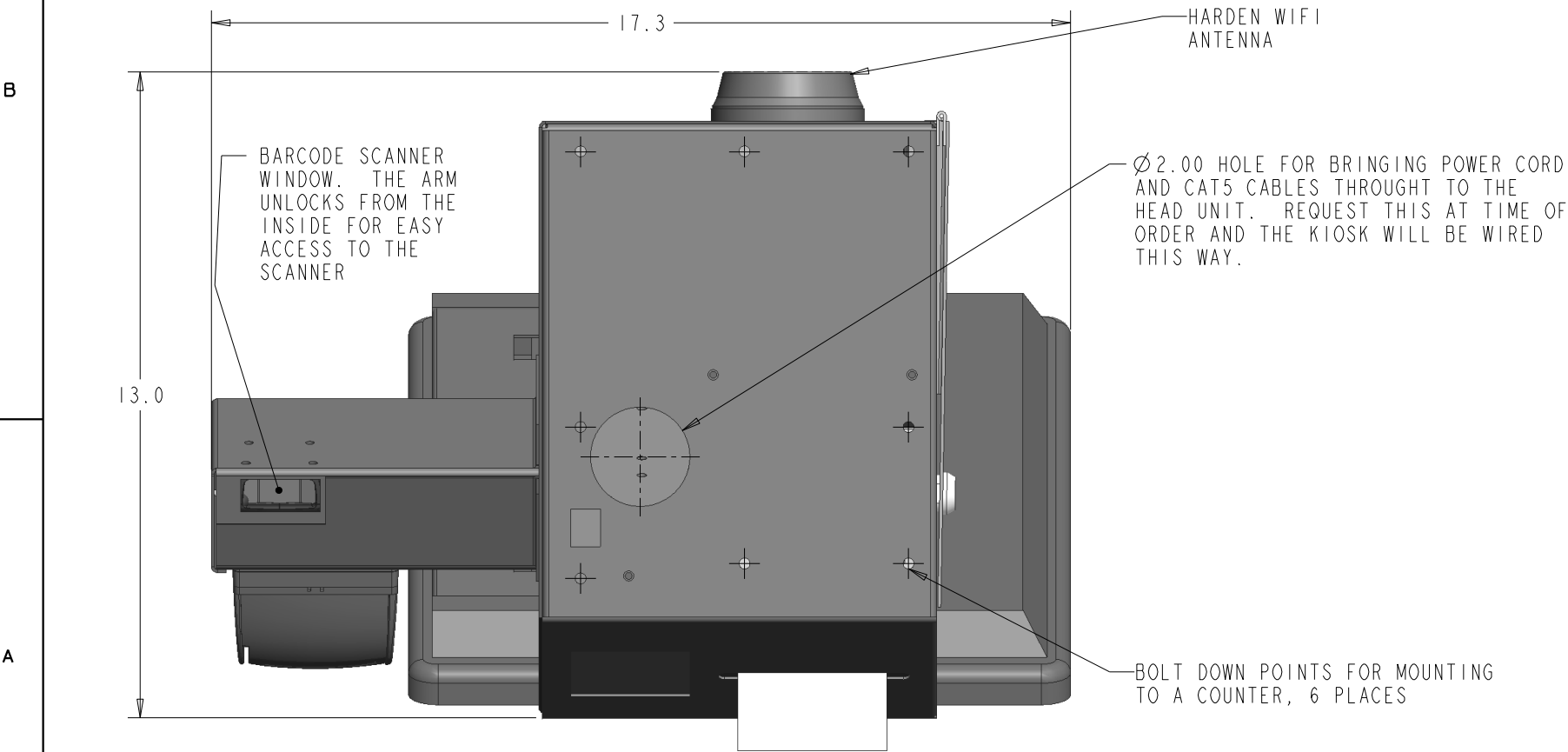
TICKETING KIOSK COUNTER TOP

THIS DRAWING IS PROPRIETARY AND CONSIDERED CONFIDENTIAL. NO REPRODUCTION MAY BE MADE WITHOUT WRITTEN PERMISSION FROM H32 DESIGN AND DEVELOPMENT LLC. WWW.H32.COM	SIZE: B	DRAWING TITLE: TICKETING KIOSKS CUS	REV: B
	DWG #: H32 - 220 - C	SHEET: 5 OF 6	



For questions regarding this drawing or product please contact an Advanced Kiosks technical sales representative.
 Advanced Kiosks | 134 Hall Street, Units F/G, Concord, NH 03301 | 603-865-1000 | www.advancedkiosks.com

ZONE	LTR	DESCRIPTION	DATE	APPROVED



COUNTERTOP BOTTOM VIEW

THIS DRAWING IS PROPRIETARY AND CONSIDERED CONFIDENTIAL. NO REPRODUCTION MAY BE MADE WITHOUT WRITTEN PERMISSION FROM H32 DESIGN AND DEVELOPMENT LLC. WWW.H32.COM	SIZE: B	DRAWING TITLE: TICKETING KIOSKS CUS	REV: B
	DWG #: H32 - 220 - C	SHEET: 6 OF 6	



For questions regarding this drawing or product please contact an Advanced Kiosks technical sales representative.
 Advanced Kiosks | 134 Hall Street, Units F/G, Concord, NH 03301 | 603-865-1000 | www.advancedkiosks.com